

WARLOCK®

Increase the power

Essentials

- Construction Cranes
- Loaders
- Graders
- Forestry
- Dump Truck
- Vacuum Trucks
- Material Handling
- Mining Machineries
- Cone Crusher Machine
- Off Highway Vehicles
- Tractor Mounting Equipment

HYDRAULIC GEAR PUMPS SERIES



WGP6125

- ✓ Heavy Duty
- ✓ Cast Iron Double Pump
- ✓ External Gear Pump
- ✓ Max. Pressure 300 Bar
- ✓ Interlocking Body Design



WGP6117

- ✓ Heavy Duty
- ✓ Cast Iron Double Pump
- ✓ External Gear Pump
- ✓ Max. Pressure 300 Bar
- ✓ Bronze Balance Plate



WGP5085

- ✓ Heavy Duty
- ✓ Cast Iron
- ✓ External Gear Pump
- ✓ Max. Pressure 300 Bar
- ✓ Cross Mounting



WGP5150

- ✓ Heavy Duty
- ✓ Cast Iron
- ✓ External Gear Pump
- ✓ Max. Pressure 300 Bar
- ✓ Bronze Balance Plate

Warlock Companies Has Been Involved With The Design, Development And Manufacture Of Gear Pumps For Many Decades. Well-proven Designs, The Use of Specially Developed Materials, Constant Testing And Sophisticated Mass Production Techniques Ensure Products of The Very Highest Quality. Universal Application Is Assured By A Carefully Graded Range Of Sizes And A Variety Of Different Design Options.



Warlock external gear pumps are available as standard performance cast iron gear pumps in the series WGP. The WGP Series of Pumps have capabilities to withstand maximum operating pressures of 300 Bar, to meet your exacting requirements. The displacements are graded by different gear widths. Further configuration variants are given by different flanges, shafts, inlet/outlet arrangements and multiple pump combinations. These were designed for high pressures and have excellent emergency running properties, especially at low rotational speeds. This keeps both flow pulsation and noise emission to a minimum. The use of statistical process control techniques during all phases of manufacturing ensures the use of high quality components. All pumps in the WGP Series are performance tested to achieve total quality.

In response to market needs, the WGP ranges have been developed to combine very high efficiencies with very low noise levels while retaining the rugged simplicity of well-proven hydraulic gear pumps. Both series are of cast iron construction and high quality steel gears are supported by hydrodynamic plain (bush) bearings which are lubricated by a system which draws cool fluid from the inlet port.

WGP SERIES PUMPS - MODEL NUMBERS*

Front or Single Pump

G 1 A 4 045 X 2 4 1 C

Gear Type

R = Spur
S = Helical

1 Design Mark

Soft Seals

Mounting Flange
3, 4, 5

Displacement

Single Pump	
Code	L.P.M
WGP5085	85
WGP4065	65
WGP4045	45

Drive Shafts

Code	Standard
X	SAE 22-4 (B) 7/8" 13 Spline
Y	SAE 25-4 (BB) 1" 15 Spline
Z	SAE 22-1 (B) 3/8" Kery Parallel

Rotation

C = Clockwise
A = Anit-clockwise

Onlet Port Type

Code	Description
1	SAE Split Flange - Metric Bolt
2	SAE Split Flange - UNC Bolt
3	BSP Straight Thread
4	SAE - UNF Oring Thread

Mounting Flange

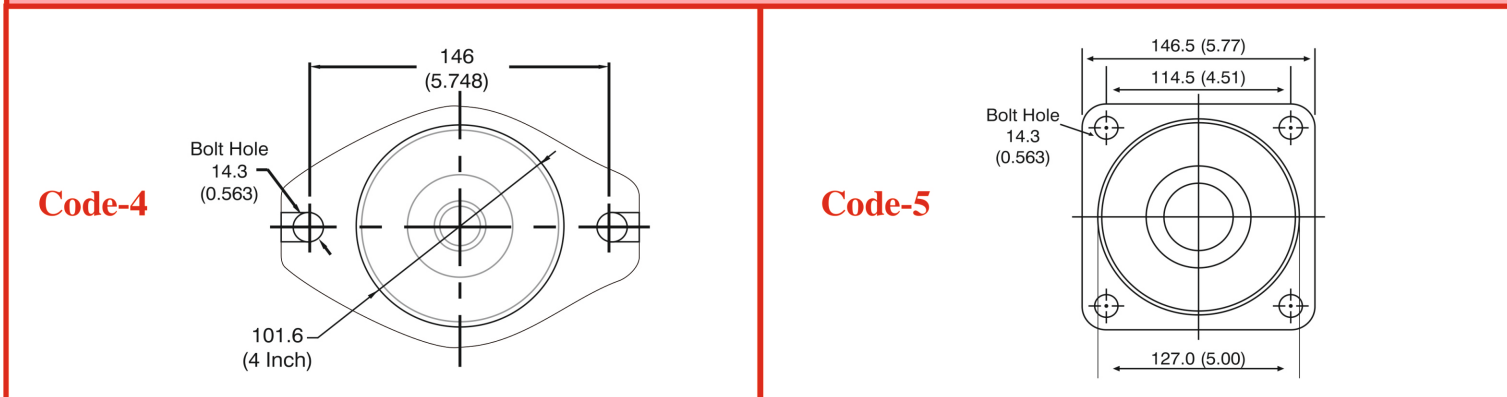
Code	Description
2	SAE (C-2 Bolt)
4	SAE (C-4 Bolt)

Inlet Port Type

Code	Description
1	SAE Split Flange - Metric Bolt
2	SAE Split Flange - UNC Bolt
3	BSP Straight Thread
4	SAE - UNF Oring Thread

Not all variants can be selected by using ordering code! Please select the required pump by using the selection tables (standard types) or after consultation with Warlock Companies! Special options are possible upon request

MOUNTING FLANGE

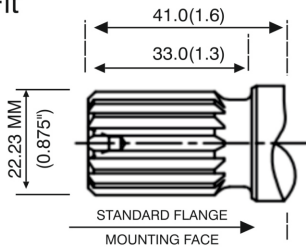


DRIVE SHAFTS

X SAE 22-4 (B) 7/8" 13 Spline

INVOLUTE SPLINE

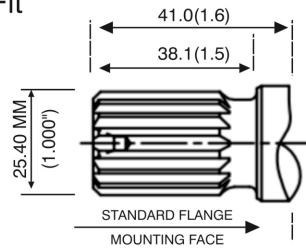
- ▶ 13 Teeth
- ▶ 8/16 DP
- ▶ Flat Root
- ▶ Side Fit



Y SAE 25-4 (BB) 1" 15 Spline

INVOLUTE SPLINE

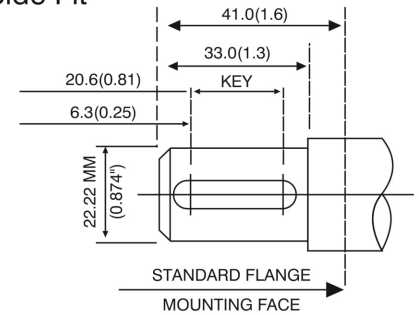
- ▶ 15 Teeth
- ▶ 16/32 DP
- ▶ Flat Root
- ▶ Side Fit



Z SAE 22-1 (B) 3/8" Square Key

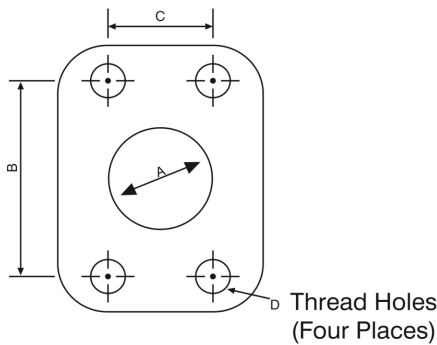
Cutter Type

- ▶ Square Key (6x6x30)
- ▶ Side Fit

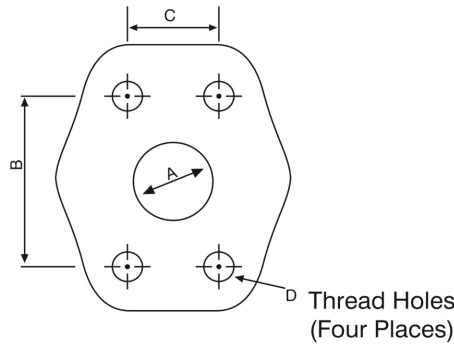


Suction and Delivery Port (Dimension in mm)

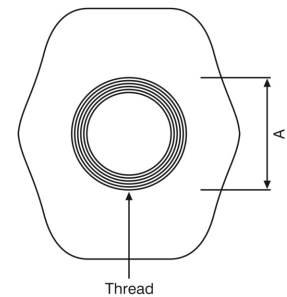
Suction Split Flange



Delivery Split Flange



Straight Thread Port



Suction Port

A	B	C	D
46.100	77.770	42.880	1/2' UNC
38.000	69.850	35.710	M12x1.75
31.900	58.720	30.180	7/16' BSW
26.100	52.370	26.190	3/8' BSW

Delivery Port

25.100	52.370	26.190	M10x1.50
19.000	47.630	22.230	M10x1.50

When Using Straight Thread O-ring (Suction & Delivery Port)

Bore Size	Tape	Thread
44.900	BSP	11
39.200	BSP	11
30.800	BSP	11
24.850	UNF	12
24.500	BSP	14
19.000	BSP	14

The Warlock configurator assists you to configure your individual external gear unit easily and user-friendly. You only need to specify your requirements: From the displacement, direction of rotation, drive shaft, connection flange right up to the required rear cover. You immediately receive a project drawing (PDF format) if a configuration already exists. You receive the price of the configured external gear unit upon request.

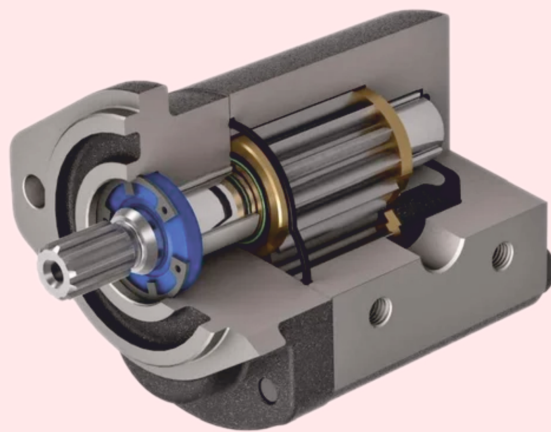
If the external gear unit you selected has been released you will receive the part number, ordering code and a detailed installation drawing. If your special configuration is not available please send your specification to Warlock. One of our employees will then contact you.

Warlock external gear pumps are available as standard performance cast iron gear pumps in the series WGP. The WGP Series of Pumps have capabilities to withstand maximum operating pressures of 300 Bar, to meet your exacting requirements. The displacements are graded by different gear widths. Further configuration variants are given by different flanges, shafts, inlet/outlet arrangements and multiple pump combinations. These were designed for high pressures and have excellent emergency running properties, especially at low rotational speeds. This keeps both flow pulsation and noise emission to a minimum. The use of statistical process control techniques during all phases of manufacturing ensures the use of high quality components. All pumps in the WGP Series are performance tested to achieve total quality.

In response to market needs, the WGP ranges have been developed to combine very high efficiencies with very low noise levels while retaining the rugged simplicity of well-proven hydraulic gear pumps. Both series are of cast iron construction and high quality steel gears are supported by hydrodynamic plain (bush) bearings which are lubricated by a system which draws cool fluid from the inlet port.

AZ Configurator

© This document, as well as the data, specifications and other information set forth in it, are the exclusive property of Warlock Companies. It may not be reproduced or given to third parties without its consent. The data specified above only serve to describe the product. No statements concerning a certain condition or suitability for a certain application can be derived from our information. The information given does not release the user from the obligation of own judgment and verification. It must be remembered that our products are subject to a natural process of wear and aging.



Regd Office:

10 KM. Stone, O.P. Jindal Marg
Hisar - 125001 (Haryana India)

Mob.: +91 98968-08050

Email: info@warlockcompanies.com

WARLOCK
HYDRAULIC PUMPS
An ISO 9001 : 2008 Certified Company